

Installation Instructions - Seip operators to barn doors

Procedure for fitting Seip remote controlled operators to side hinged barn type garage doors

To be installed in conjunction with Amourelle Products Ltd barn door operating arms type AP2006

Maximum Door Opening Width

A normal AP2006 kit suits overall opening widths up to 3mtrs type AP2006/HD will suit openings from 3.1mtrs to 3.6mtrs wide.

Tools you will require:

A 13mm spanner, 10mm & 13mm hex sockets & wrench, pair of side cutters or combination pliers, hammer, pencil, No.2 Pozidrive screwdriver, electric drill, 5mm HSS drill, 5.5mm masonry drill, a 'pump action oilcan' filled with car engine oil, step ladder.

Contents of the installation hardware pack

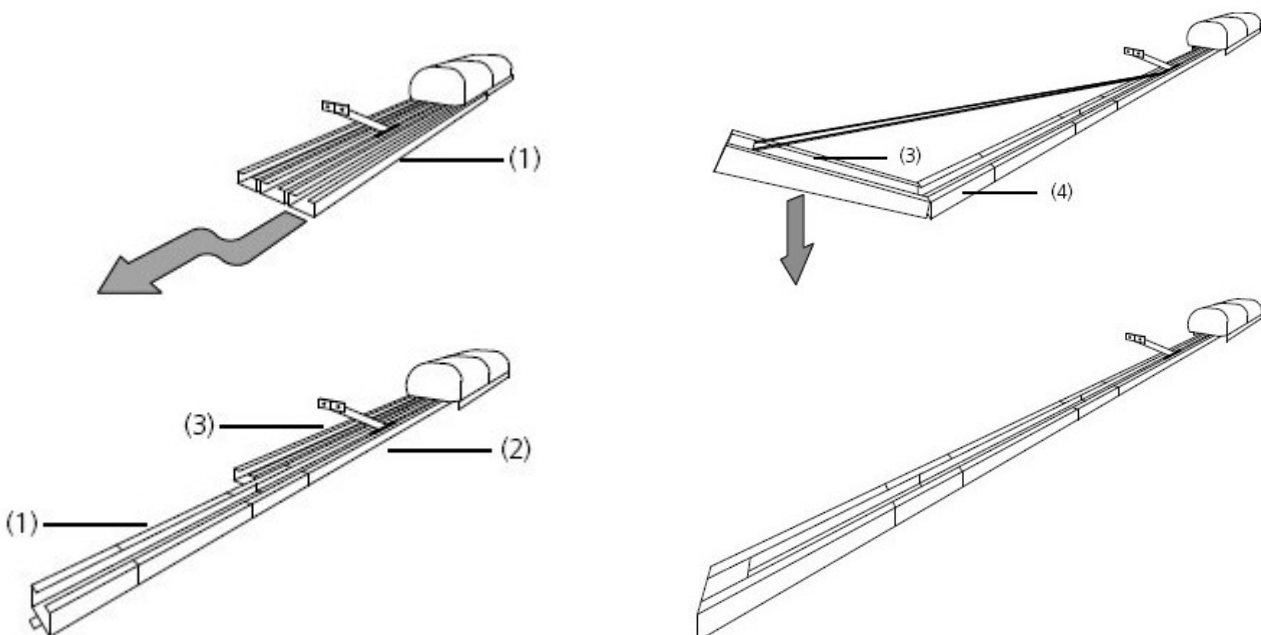
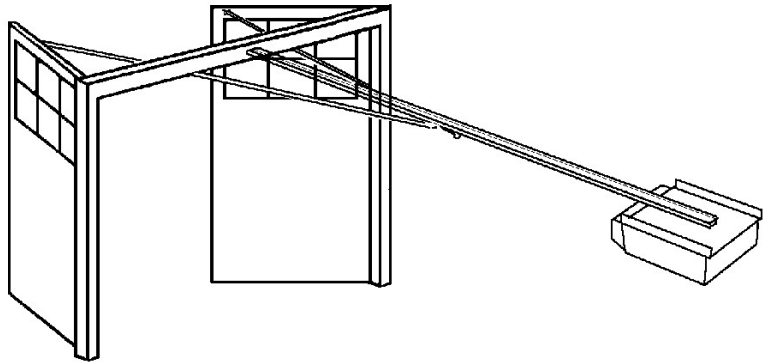
One pair of motor support brackets, door header bracket & bolt, a selection of fixing screws, washers & masonry plugs, a small screwdriver, Allen key, bag containing eight track securing grub-screws & two emergency-release cable clamps, wireless wall mounted pushbutton switch & fixing screws, Red P.V.C. sleeving for the emergency manual release cable and a label for the door with instructions detailing how to operate the door in the event of a power failure.

Before Getting Started

Lubricate the door hinges and check that the doors move freely without rubbing or catching and make sure they close together snugly at the bottom.

Unpacking and assembling the track

- 1/ Lay the operator on the floor with the motor head to the right hand side, slide part (1) out and fully engage it with the C-rail coupling piece (2)
 - 2/ Slide section (3) out in front of part (1) keeping the chain free of twists
 - 3/ Slide the C-rail coupling piece (4) out 25mm beyond the end of section (1) raise section (3) up at an angle as shown (below right) and press it down to stretch the chain and engage it with the C-rail coupling piece (4) and slide the C-rail coupling piece forward to cover the joint
 - 4/ Turn the unit over and fit the M5 grub screws into the eight tapped holes and tighten with the Allen key provided
- The chain is pre-tensioned and will not require any adjustment, your Seip operator is now ready for installation.*



Mounting The Operator

- 1/ Close the doors, measure the centre of the doorframe and mark this position on the frame header
Note: check that the door-frame header is securely fixed at the centre, add additional fixings if necessary.
- 2/ Fix the C-rail fixing bracket to the centre of the door-frame header 30mm up from the bottom edge
- 3/ Place a carton on the floor to protect the motor casing and attach the C-rail to the front fixing bracket
- 4/ Raise the motor head until the 'C' rail track is horizontal and support it either by using a strap from the beams or a pair of steps.
- 5/ The motor housing may now be fixed to the ceiling with the brackets provided.
Note: If you have a high ceiling it may be necessary to extend the motor fixing brackets.

6/ Disengage the black sliding trolley from the chain drive (*by pulling the manual release cable forward*) and slide the trolley along the track towards the doors.

Installation of the AP2006 barn door arms.

a) Lay the AP2006 door arms on the floor and refer to the images below and attach the 'L' arm (*the hockey stick shaped arm*) according to your required door handing. (the hockey stick arm should be attached to the door that is rebated to close last.)



Arms configured for RH leaf to close first (when viewed from inside)



Arms configured for LH leaf to close first (when viewed from inside)



Important: The bolt attaching the hockey stick arm to the main arm should be fitted with a nyloc nut & wavy washer and tightened so as to allow the bolt to rotate and thus function as a pivot point to allow the two arms to swing apart freely. Check that the M8 locking nut on the swivel bracket at the end of the arms is secure but not too tight because **it is essential that the swivel bracket can rotate freely by hand.**

- b) Make a pencil mark at the top of both doors 1 mtr from the hinged edge, 50mm down from the frame header (*with AP2006/HDkit fix arms to doors at 1.2mtrs*)
- c) Attach the arms to the sliding trolley of the operator using the M8 nyloc nut & bolt then fix the other ends of arms to the doors at the 1 mtr. pencil marks* the using 8mm x 40mm coachscrews supplied.
Hint: use a strap to support one arm while attaching the other arm to the door
- d) Lubricate all moving & sliding parts with oil. (*engine oil recommended*)

*Note: If you require one door to open to a wider angle than the other you can achieve this by offsetting the position at which the arms are attached to the door by a few cm's (the closer you move the arm to the door hinge the wider this door will open)

Emergency Release Device

Seip operators include a cable operated emergency door-release device to allow manual operation in case of power failure.

If your garage has a personal entrance door

Run the emergency release inner cable horizontally along the R.H. door operating arm (*viewed from inside*) and secure the end of the cable to the fixing hole provided on the arm, a length of red P.V.C. sleeving is supplied for emergency release cable. The cable will enable manual operation from inside the garage by pulling on this red cord.

If your garage doors are the only entrance you must provide a means of opening the garage doors from outside in the event of power failure.

(*no personal access door*)

External Manual Release Device (ordered separately)

Amourelle Ltd supply a suitable locking handle and bowden cable kit for this purpose, the external release lock kit should be connected to the Seip operator's manual release mechanism as follows:
Fit the locking handle to the face of the door that closes last using the fixing hardware supplied, fit the outer cable stop-end bushes to the door and door arm. Run the inner cable from the manual release lever on the sliding trolley horizontally along the door operating arm, down through the length of outer cable to the door and connect it to the back of a locking handle so that when the handle is unlocked and turned from outside, it pulls the cable downwards.

Note: Do not leave the garage and close the door until you have checked that the emergency release device functions correctly from outside.

Get someone to test for correct operation of the handle & cable etc. while you are inside.

Mounting the wireless push button control switch

Pry out the switch assembly from the back plate and fix the back plate to the wall near the exit of your garage at a minimum height of 1.5 mtrs. using the two No 8 x 30mm screws & wall plugs provided.



Wireless wall control switch type WSW-1B

Mains Power Supply

1/ Your Seip door operator will require a 13A mains power point positioned on the ceiling approx. 3.4mts back from the centre of the door frame. (alternatively a 13A extension lead can be run from an existing point)

Limit-Switch Adjustment and Automatic Force Measurement

Please refer to the manufacturers installation manual enclosed with the Seip TS75 operator for this procedure

Important Note

The TS75 will only run for a few seconds before stopping unless the above procedure has been completed

Final Check

After completing the adjustment procedure, open and close the doors making sure that the motor stops without applying excessive pressure against the door frame when closed. (test the operation of the manual release device because if too much force is applied against the door frame when the doors are closed it will result in excessive force being require to operate the manual release device)

Testing the safety stop system sensitivity

Stand outside and start the doors in the CLOSE direction, when half closed, restrain the doors by hand and check that the motor stops and reverses when hand pressure is applied to the doors, a similar test should be carried out during the OPEN phase to make sure the doors stop when hand pressure is applied to the doors.

Attach the yellow safety warning label (supplied) in a prominent position in the garage

The Installation is now complete ! - Relax & enjoy many years of effortless luxury & convenience !

Security

The motor will automatically lock the door at the top when closed. If physical security is an important issue Amourelle's unique Securi-Dor bottom locking system AP2007 can be fitted to enhance your security by automatically engaging additional side latches on the door when closed.

Optional infra-red break-beam safety detector kit

This device can be fitted to your Seip garage door operator for added safety

These instructions have been compiled by **Amourelle Ltd** and should be used in conjunction with the door operator manufacturers installation instructions

If you require assistance ring 0118 969 4657 - Help is just a phone call away !

Amourelle Products Ltd
The UK's #1 Garage Door Automation Specialists
©Copyright Amourelle Products Ltd United Kingdom

